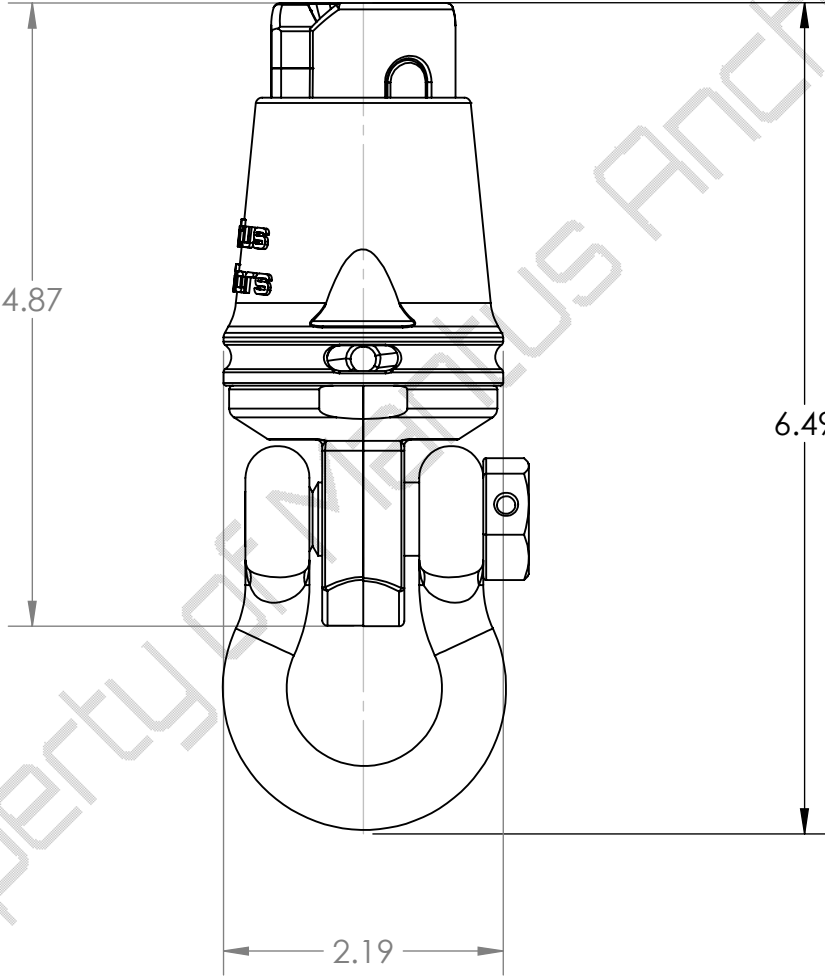


# S2 SWIVEL dimensions imperial (inches)



PROPERTY OF AMERICAN ANCHORS