



1/2 inch coupling

stainless steel housing

1/2 in stainless steel carriage bolt

1/2 inch hex bolt / (5/8 inch bolt for LS model)

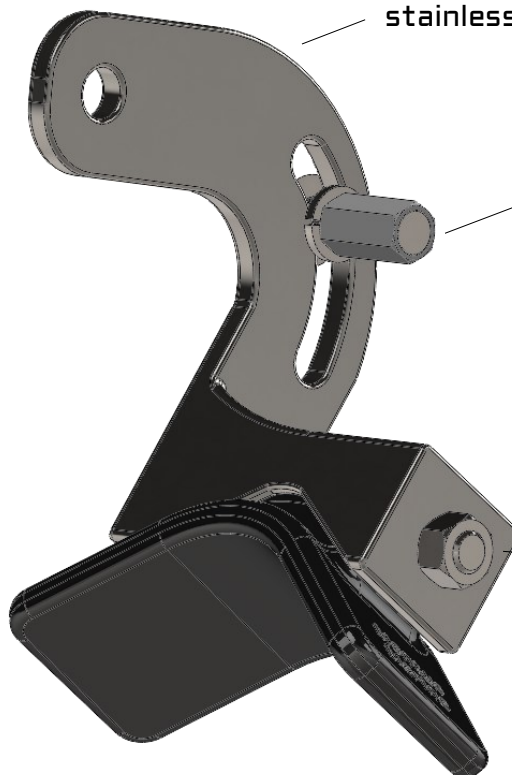
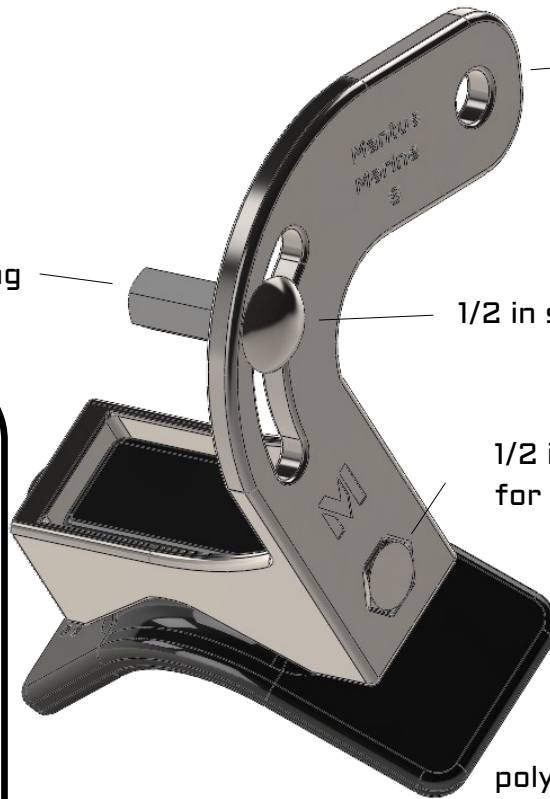
polyurethane V Stop



Boats < 30 feet

Anchormate is offered with two options for the polyurethane V stop.

Boats > 30 feet



stainless steel housing

1/2 inch coupling nut

1/2 inch locking washer

1/2 inch flat washer

1/2 inch nylock nut

(5/8 inch bolt and nut for LS model)

polyurethane V Stop

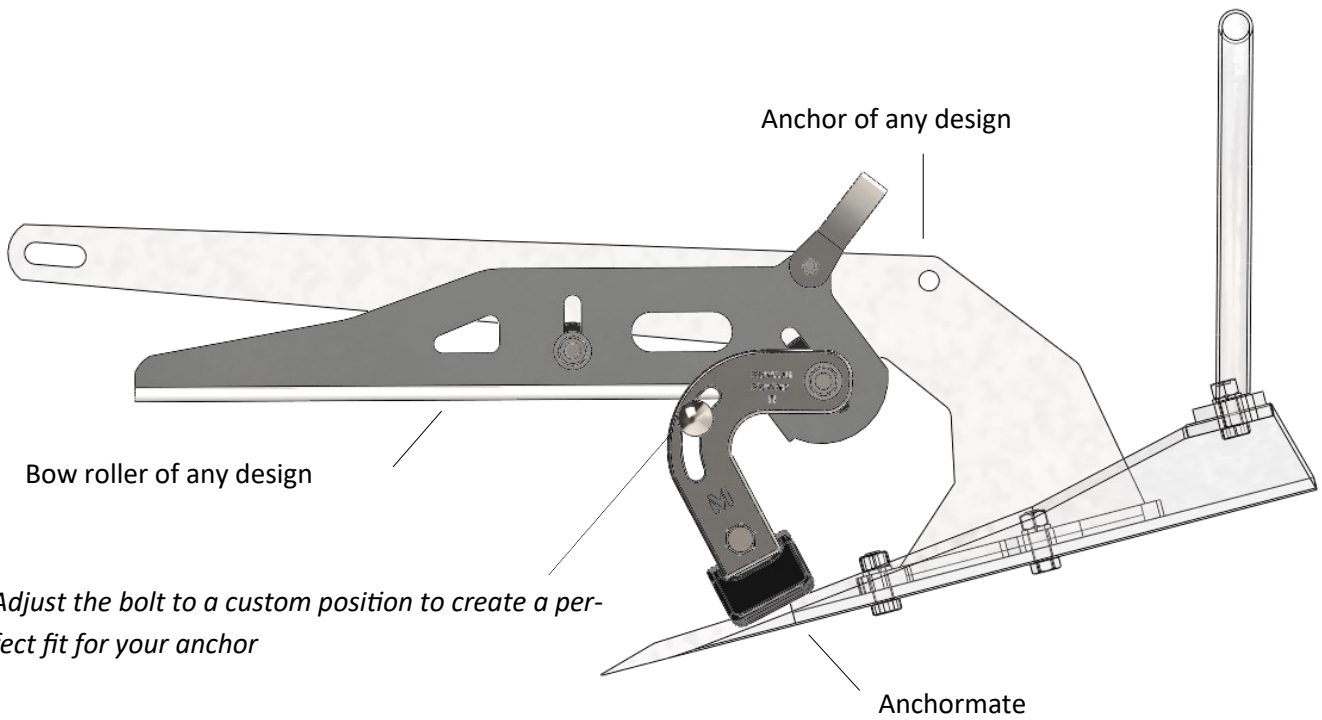
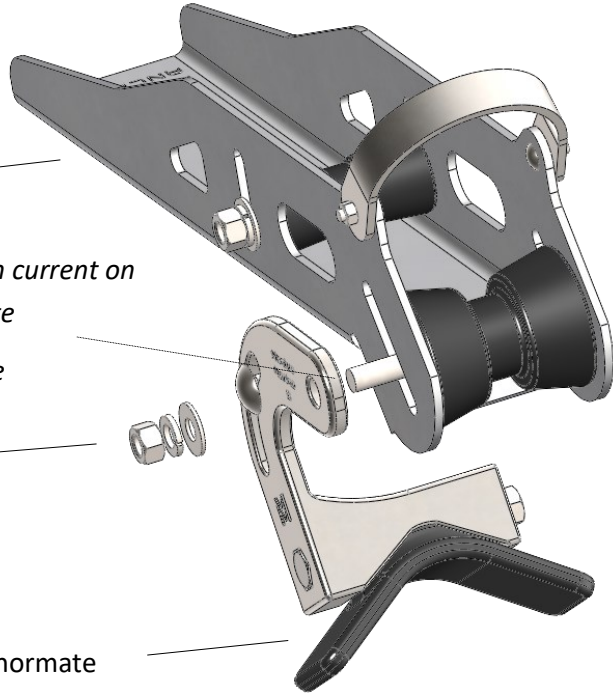


Your existing bow roller

*Need bolt that is 3/8 inches longer than current on your bow roller for regular anchor-mate and 1/2 inch longer for LS Anchormate*

Fasteners not included

Anchormate



Anchor of any design

Bow roller of any design

*Adjust the bolt to a custom position to create a perfect fit for your anchor*

Anchormate