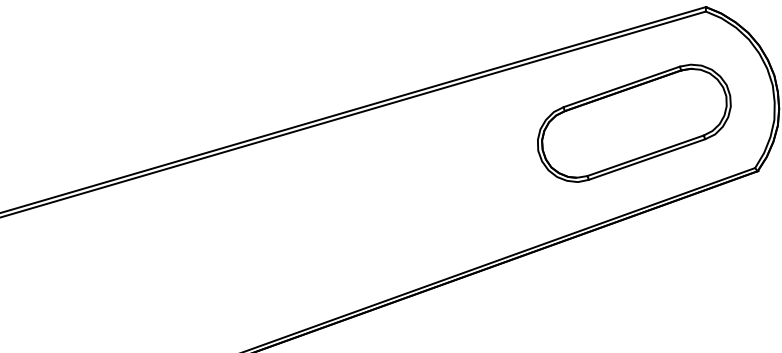


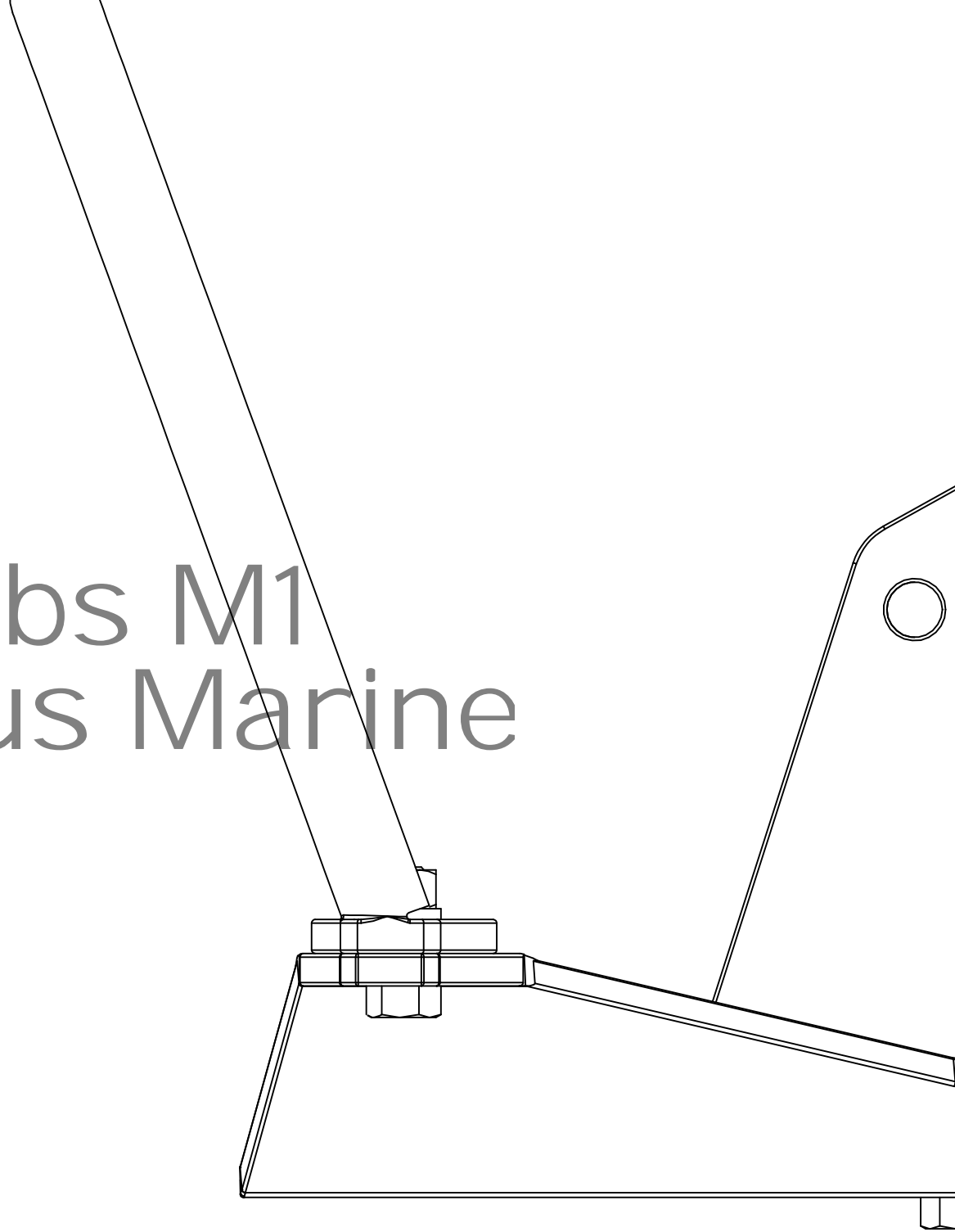
8 lbs M1
Mantus Marine

8 lbs M1
Mantus Marine

8 lbs M1
Mantus Marine



8 lbs M1
Mantus Marine





8 lbs M1
Mantus Marine

The image is a technical line drawing of a boat's hull and keel assembly. It shows a curved structure, possibly a transom or a support for a motor, attached to the hull. The hull is shown in profile, with a keel and a transom. A curved structure is attached to the transom area, extending upwards and outwards. The drawing is a simple line art representation. The text '8 lbs M1' and 'Mantus Marine' is centered in the middle of the image.

8 lbs M1
Mantus Marine