

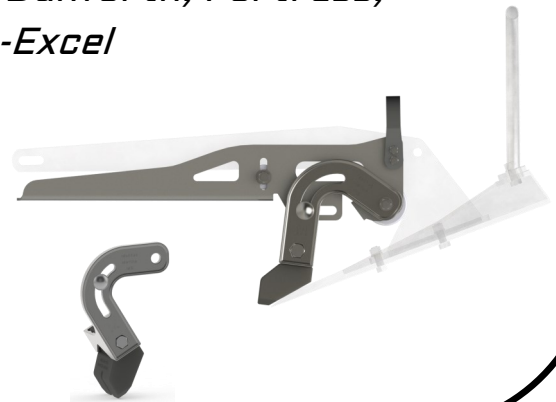
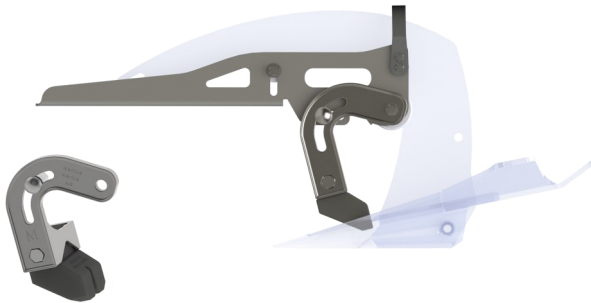


The Polyurethane Pad can be mounted in two orientations:

- With the cleft pointing Forward recommended for anchors with tall shanks:
- With cleft pointing to the Rear for anchors with shorter shanks:

Mantus M2 , Spade, Vulcan, Bruce

Mantus M1 , Rocna Original, Delta, Ultra, Danforth, Fortress, Sarca-Excel



- 1/2 inch coupling nut
- 1/2 inch locking washer
- 1/2 inch flat washer



- 1/2 inch bolt
- 1/2 inch nylock nut
- (5/8 inch bolt and nut for Large model)

Polyurethane Pad

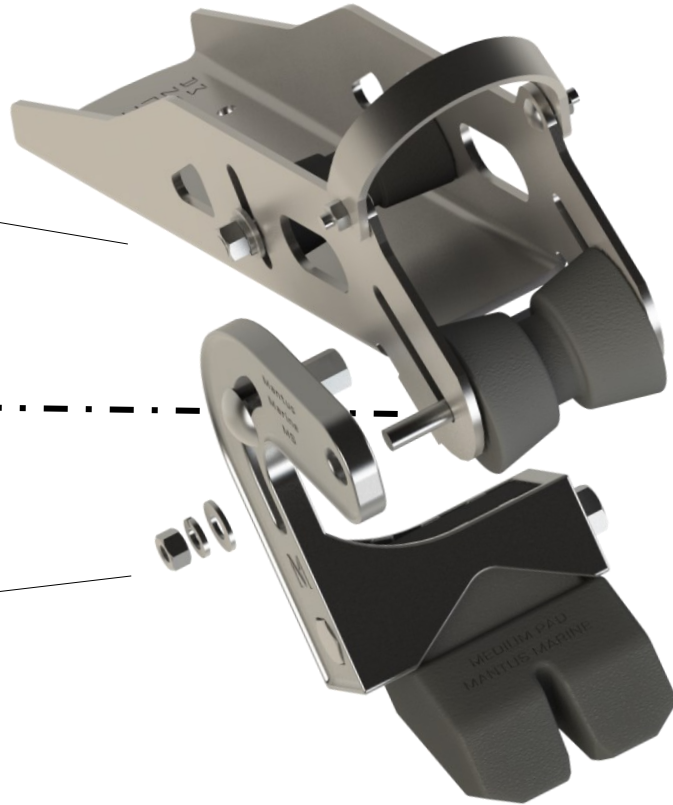




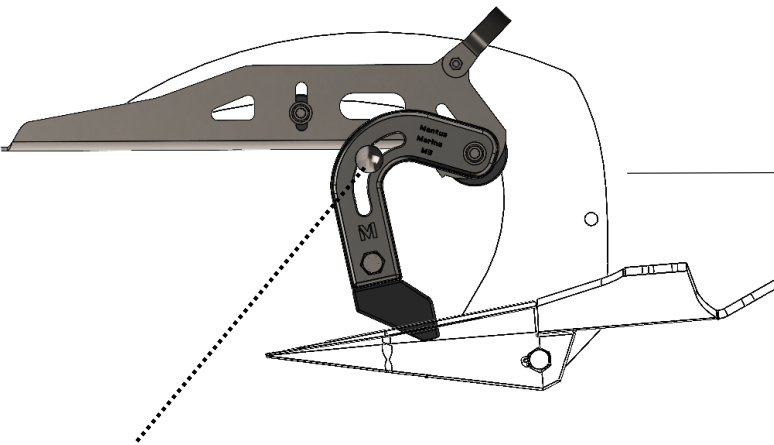
Your existing bow roller

Need bolt that is 3/8 inches longer than current on your bow roller for Medium anchor-guard & 1/2 inches longer for the Large anchor-guard

Fasteners not included



Anchor of any design



Adjust the bolt to a custom position to create a perfect fit for your anchor

Bow roller of any design

