

Polyurethane Pad

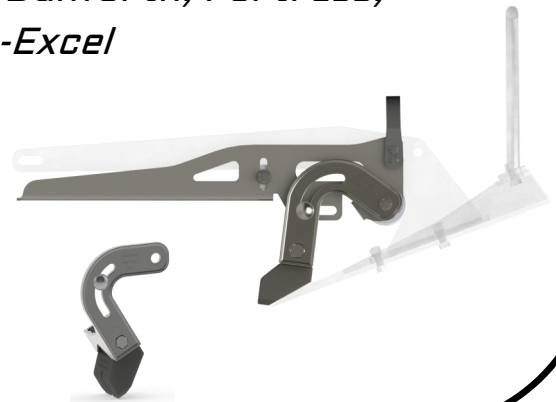
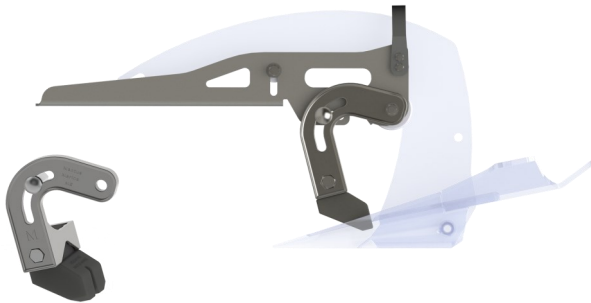


The Polyurethane Pad can be mounted in two orientations:

- With the cleft pointing Forward recommended for anchors with tall shanks:
- With cleft pointing to the Rear for anchors with shorter shanks:

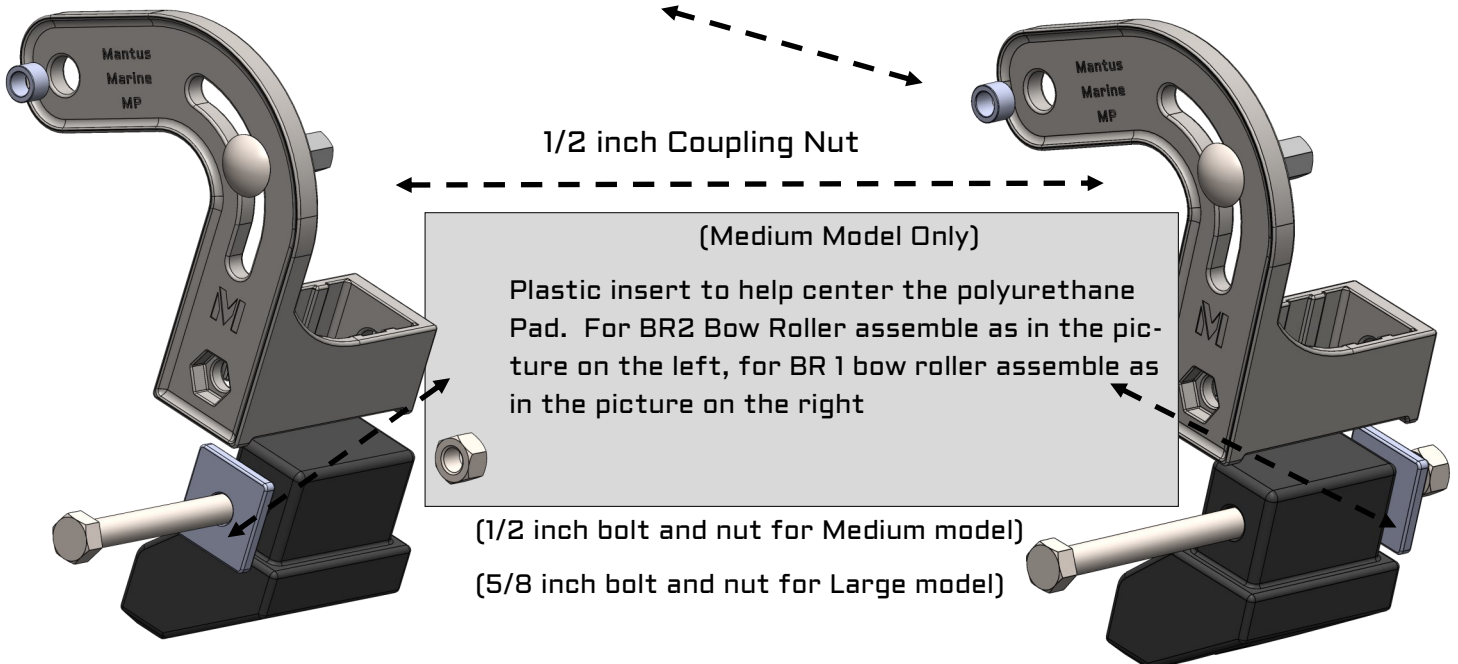
*Mantus M2 , Spade, Vulcan, Bruce*

*Mantus M1 , Rocna Original, Delta, Ultra, Danforth, Fortress, Sarca-Excel*



Optional Bushing for a 3/8" Bolt for Medium Model

Optional Bushing for a 1/2" Bolt for Large model

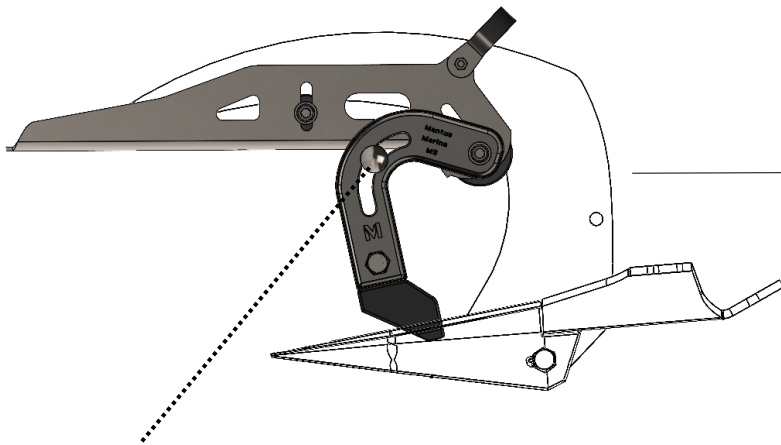
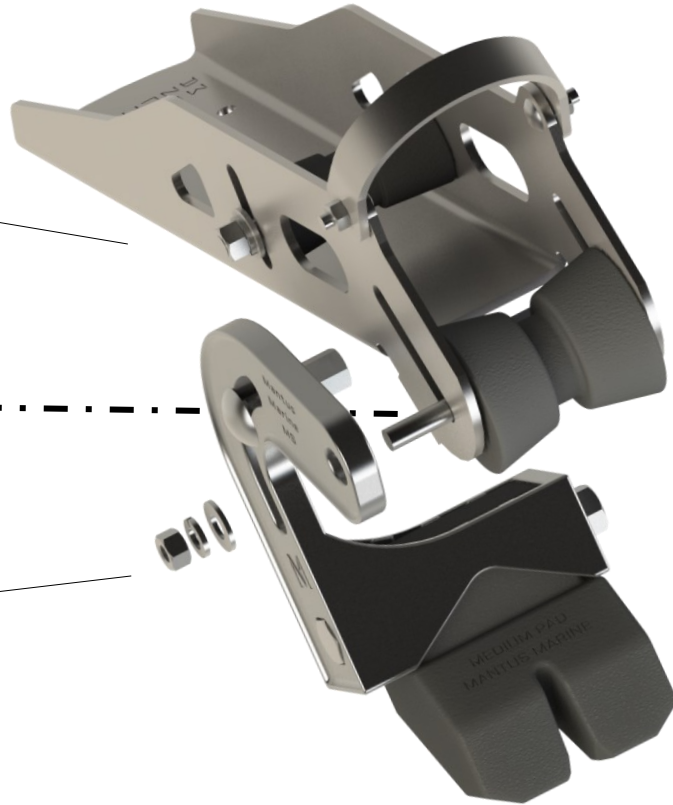




Your existing bow roller

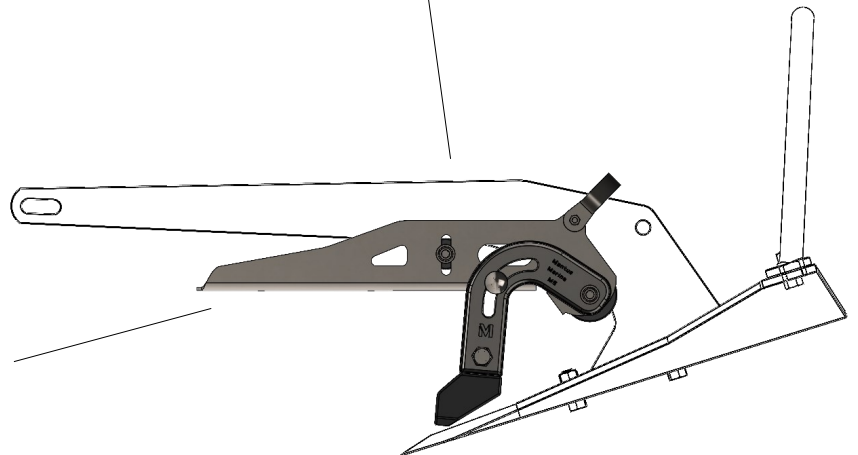
*Need bolt that is 3/8 inches longer than current on your bow roller for Medium anchor-guard & 1/2 inches longer for the Large anchor-guard*

Fasteners not included



Anchor of any design

*Adjust the bolt to a custom position to create a perfect fit for your anchor*



Bow roller of any design