

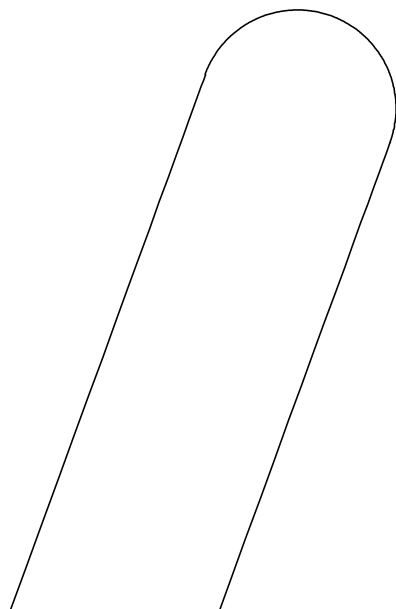
MANTUS MARINE  
MI PERFORMANCE  
105 LB  
(1,1)

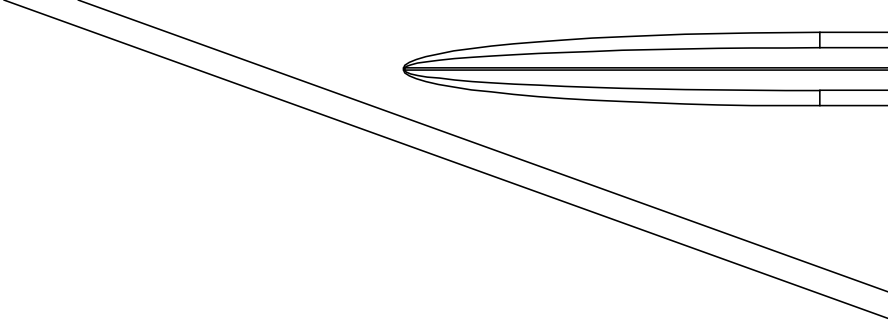
Align pages:  
(1,1) (1,2) (1,3)  
(2,1)(2,2)(2,3)  
etc.

MANTUS MARINE  
M1 PERFORMANCE  
105 LB  
(1,2)

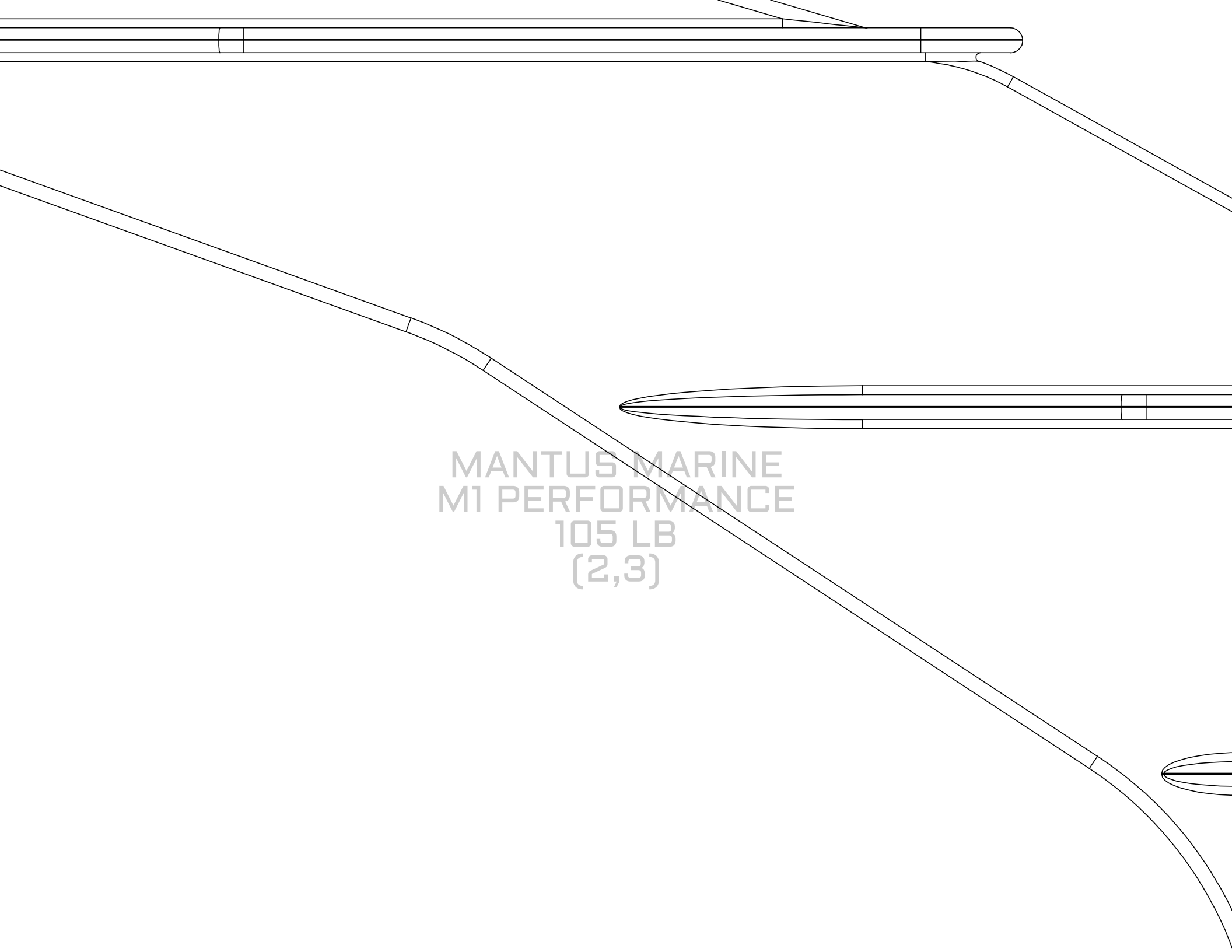
MANTUS MARINE  
MI PERFORMANCE  
105 LB  
(1,3)

MANTUS MARINE  
M1 PERFORMANCE  
105 LB  
(1,5)

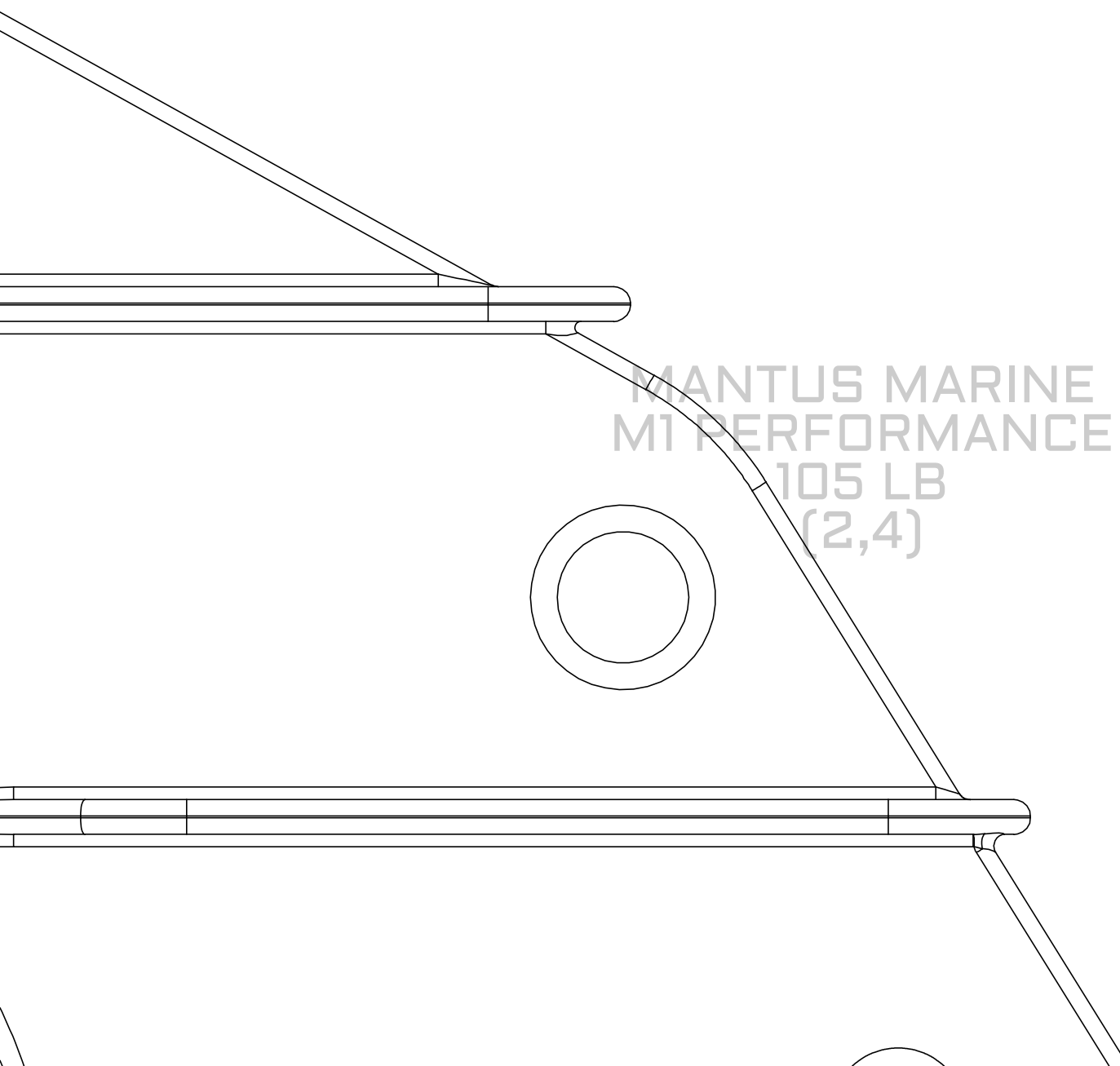





MANTUS MARINE  
M1 PERFORMANCE  
105 LB  
(2,2)



MANTUS MARINE  
M1 PERFORMANCE  
105 LB  
(2,3)

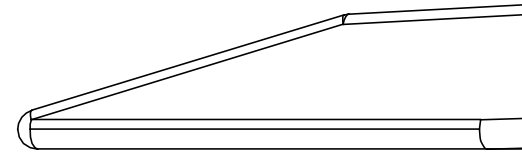


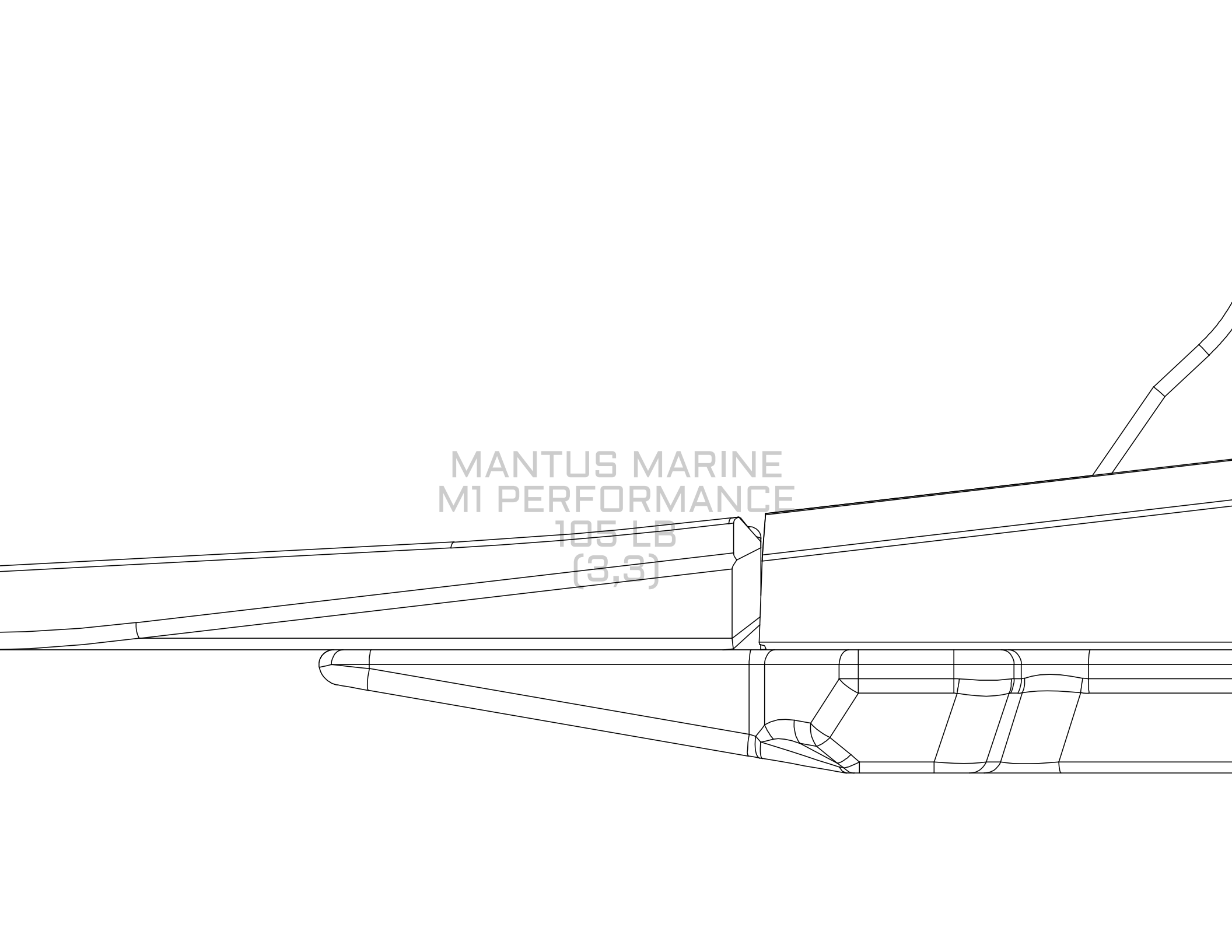
MANTUS MARINE  
MI PERFORMANCE  
105 LB  
(2,4)



MANTUS MARINE  
M1 PERFORMANCE  
105 LB  
(2,5)

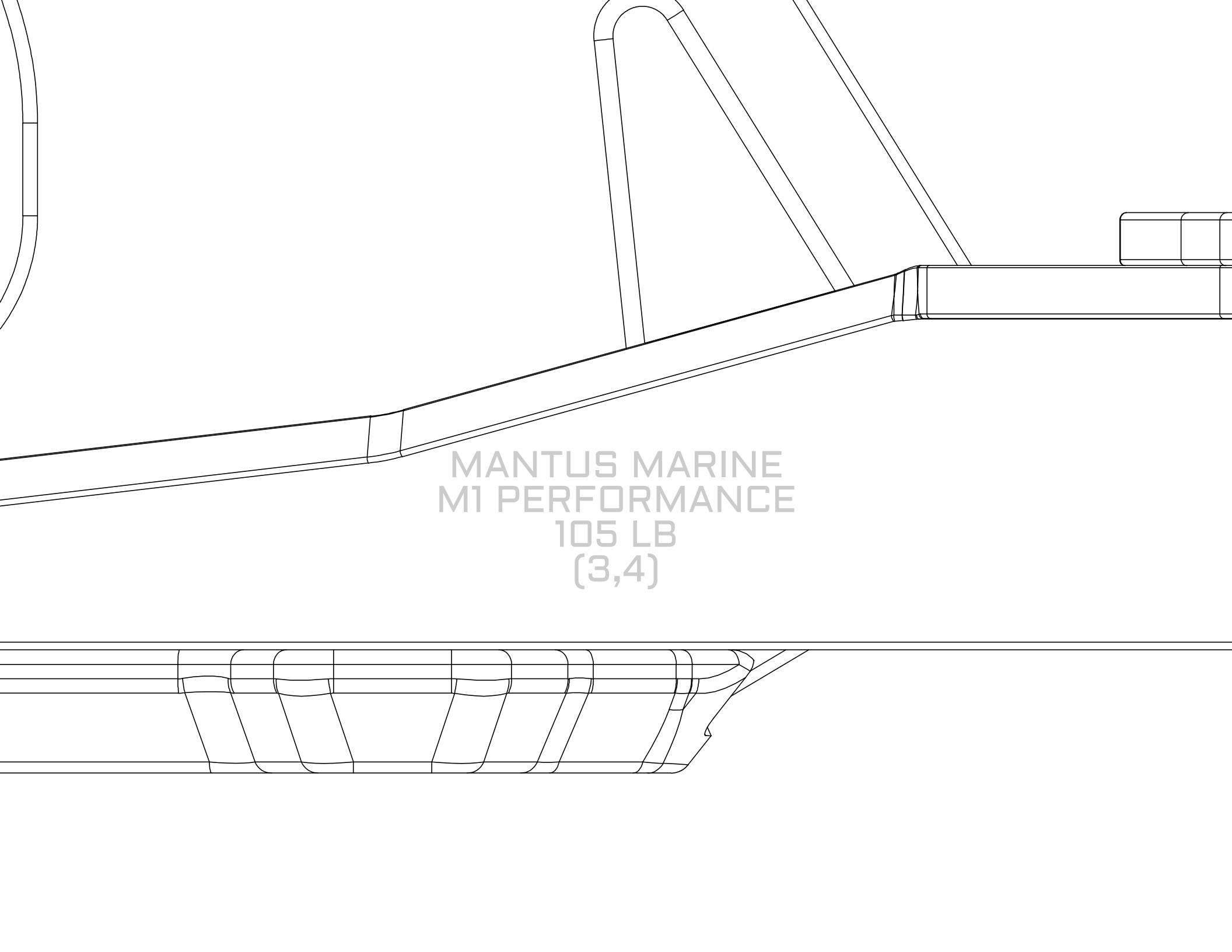
MANTUS MARINE  
M1 PERFORMANCE  
105 LB  
(3,2)



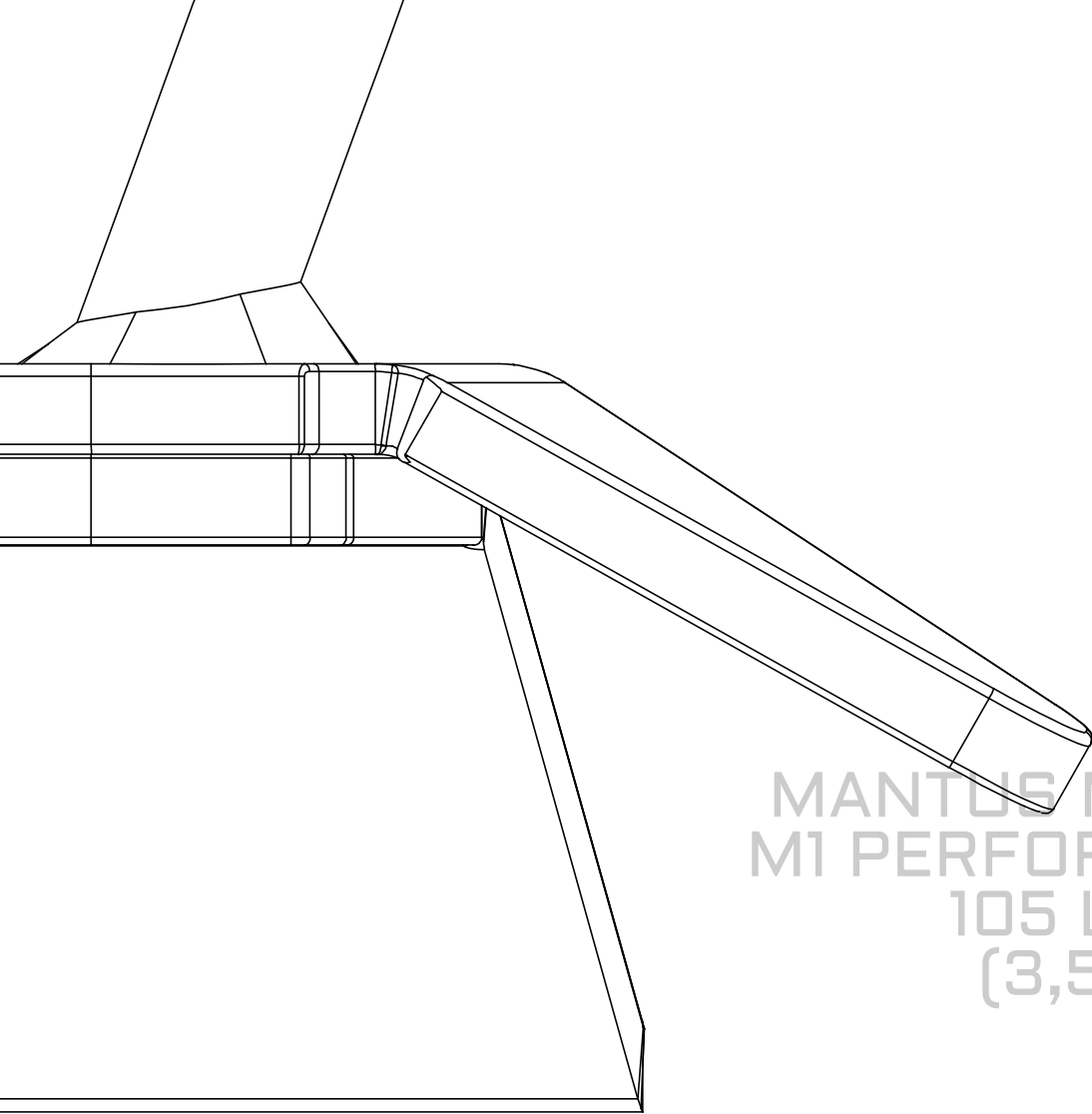


MANTUS MARINE  
MI PERFORMANCE  
105 LB  
(3,3)

This is a technical line drawing of a boat's transom and outboard motor assembly. The drawing shows the transom with a motor mount, a motor shaft, and a motor housing. The motor housing is labeled with 'MANTUS MARINE MI PERFORMANCE 105 LB (3,3)'. The drawing is a black and white line drawing on a white background.



MANTUS MARINE  
M1 PERFORMANCE  
105 LB  
(3,4)



MANTUS MARINE  
M1 PERFORMANCE  
105 LB  
(3,5)