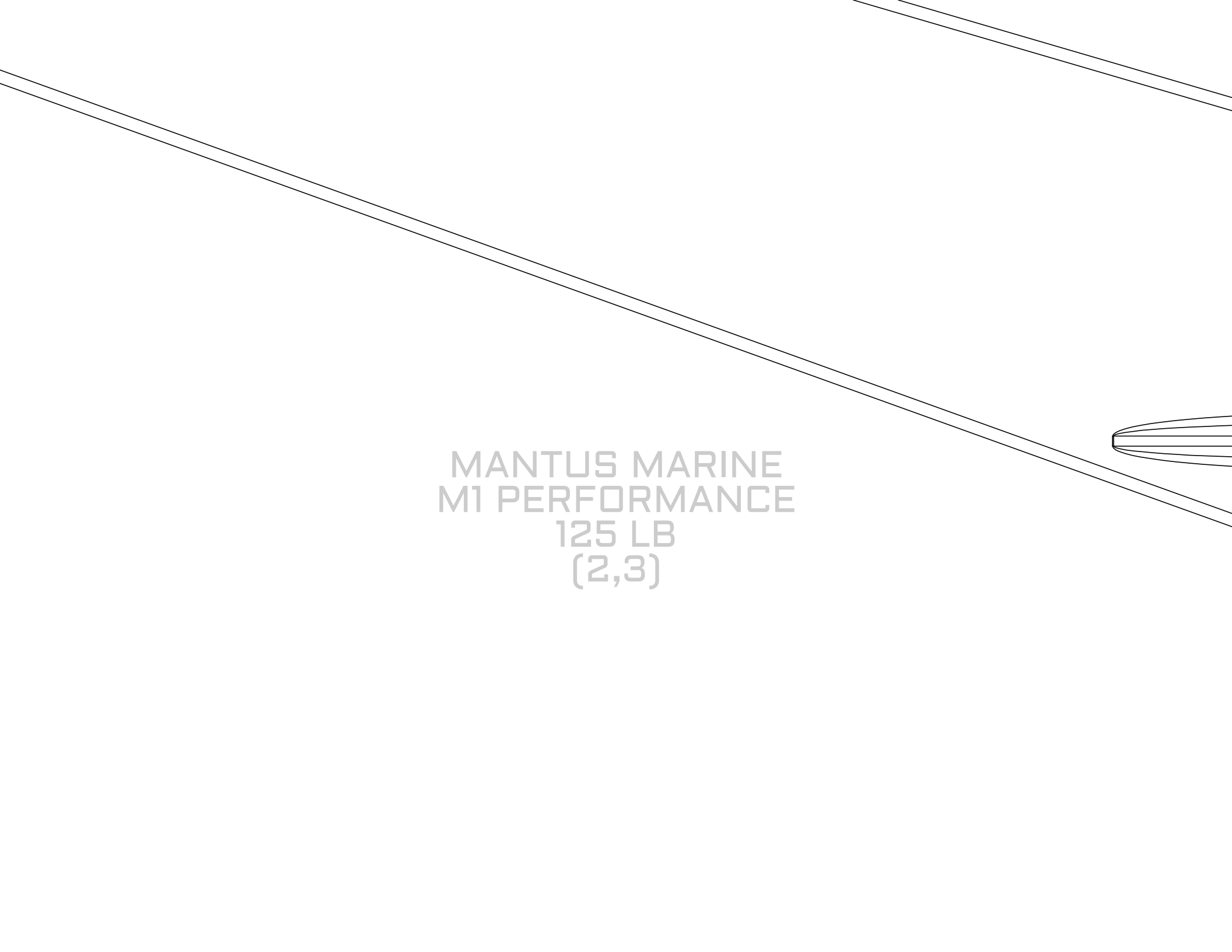


MANTUS MARINE  
MI PERFORMANCE  
125 LB  
(1,1)

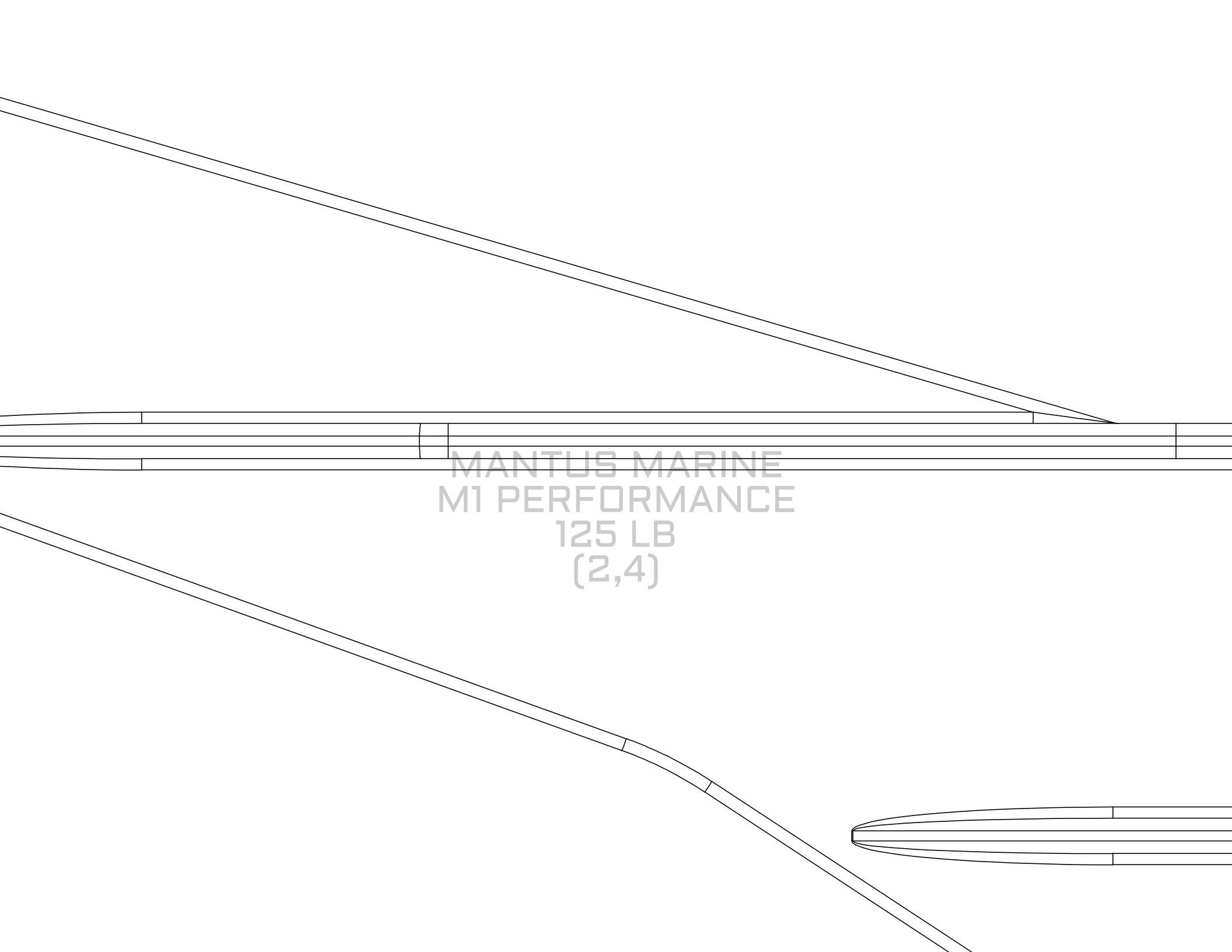
Align pages:  
(1,1) (1,2) (1,3)  
(2,1)(2,2)(2,3)  
etc.

MANTUS MARINE  
M1 PERFORMANCE  
125 LB  
(1,2)

MANTUS MARINE  
M1 PERFORMANCE  
125 LB  
(2,2)



MANTUS MARINE  
M1 PERFORMANCE  
125 LB  
(2,3)



MANTUS MARINE  
MI PERFORMANCE  
125 LB  
(2,4)



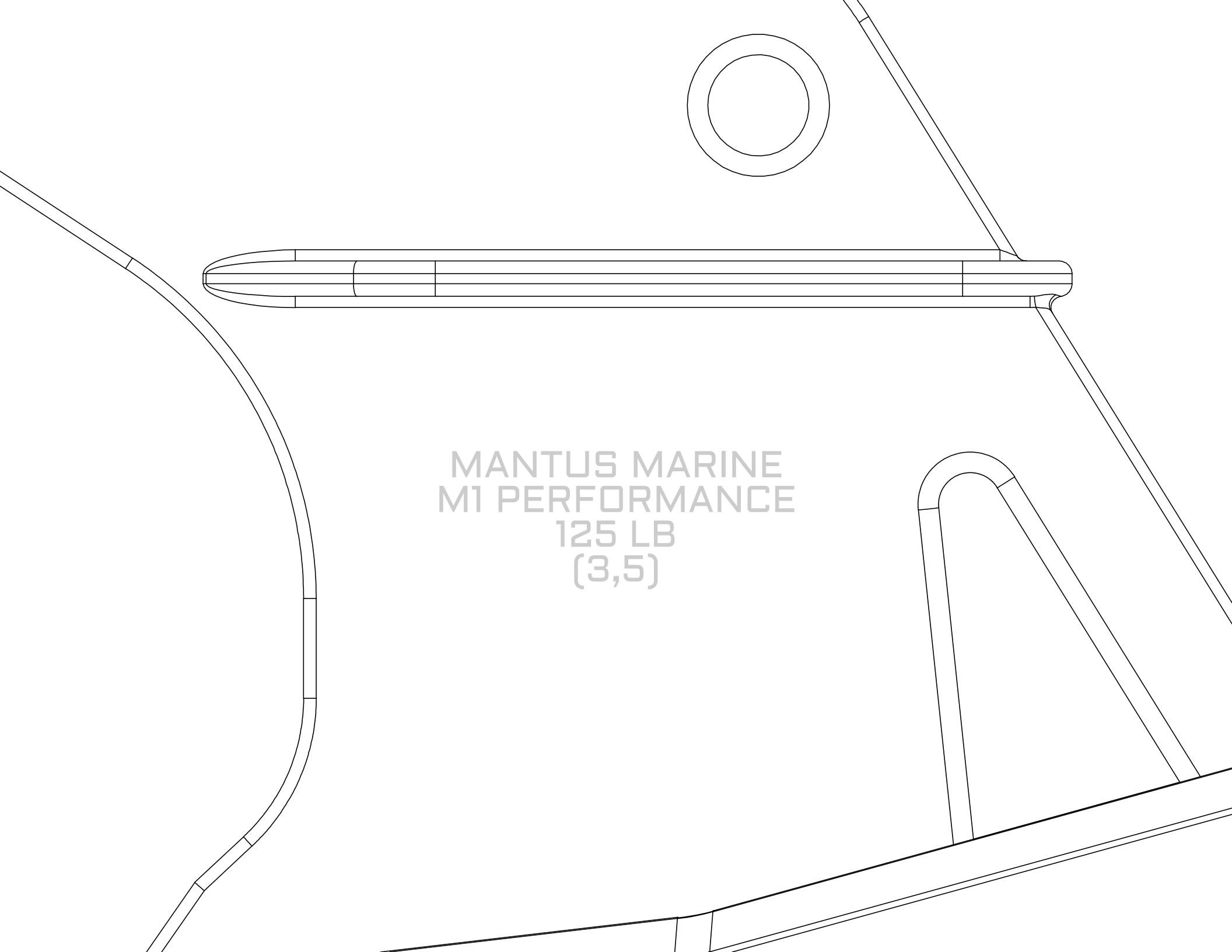
MANTUS MARINE  
MI PERFORMANCE  
125 LB  
(2,5)

The image shows a technical line drawing of a boat outboard motor shaft assembly. On the left, a portion of the motor housing is visible, with a shaft extending downwards and to the right. This shaft meets a horizontal shaft at a 90-degree angle. The horizontal shaft has a small diameter section on its left end, a larger diameter section in the middle, and a smaller diameter section on its right end. From the right end of this horizontal shaft, another shaft extends downwards and to the right, curving slightly at the bottom. The drawing is composed of clean black lines on a white background.

MANTUS MARINE  
M1 PERFORMANCE  
125 LB  
(2,6)



MANTUS MARINE  
MI PERFORMANCE  
125 LB  
(3,4)



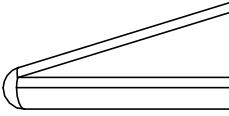
MANTUS MARINE  
M1 PERFORMANCE  
125 LB  
(3,5)

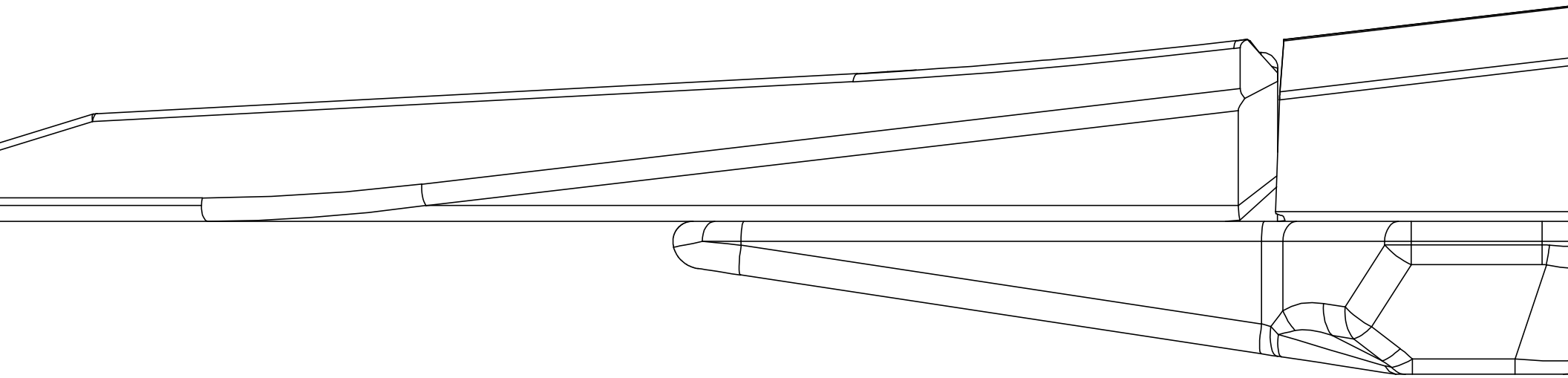


MANTUS MARINE  
M1 PERFORMANCE  
125 LB  
(3,6)

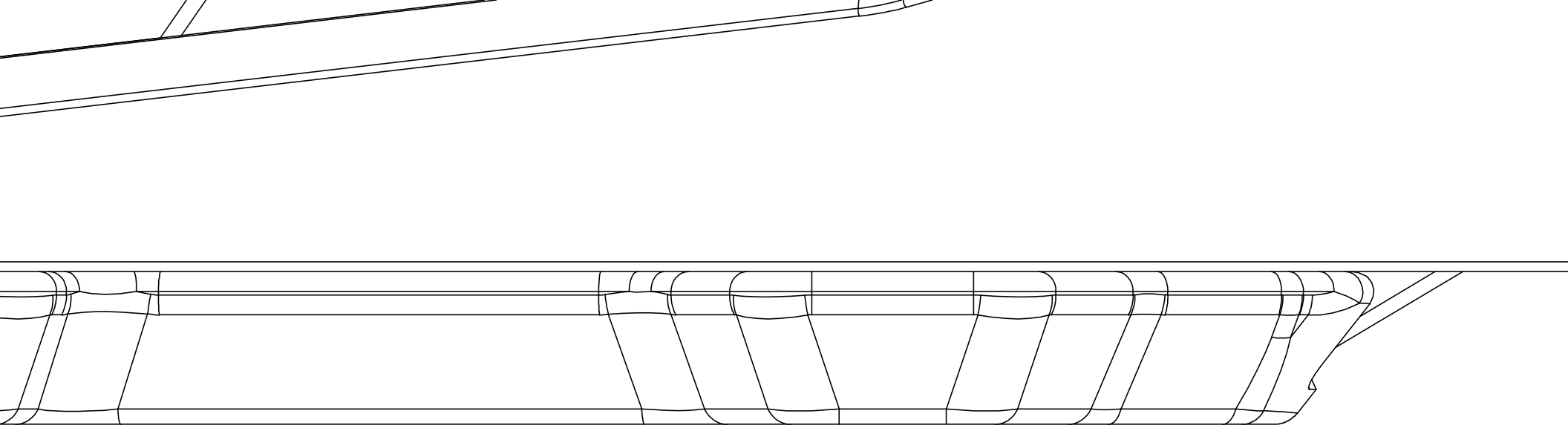
The image is a technical line drawing of a boat's transom assembly. It shows a horizontal transom beam with a vertical support post on the left and a diagonal support post on the right. A central vertical post is also visible. The drawing is rendered in black lines on a white background. The text 'MANTUS MARINE M1 PERFORMANCE 125 LB (3,6)' is centered in the upper half of the image.

MANTUS MARINE  
MI PERFORMANCE  
125 LB  
(4,3)

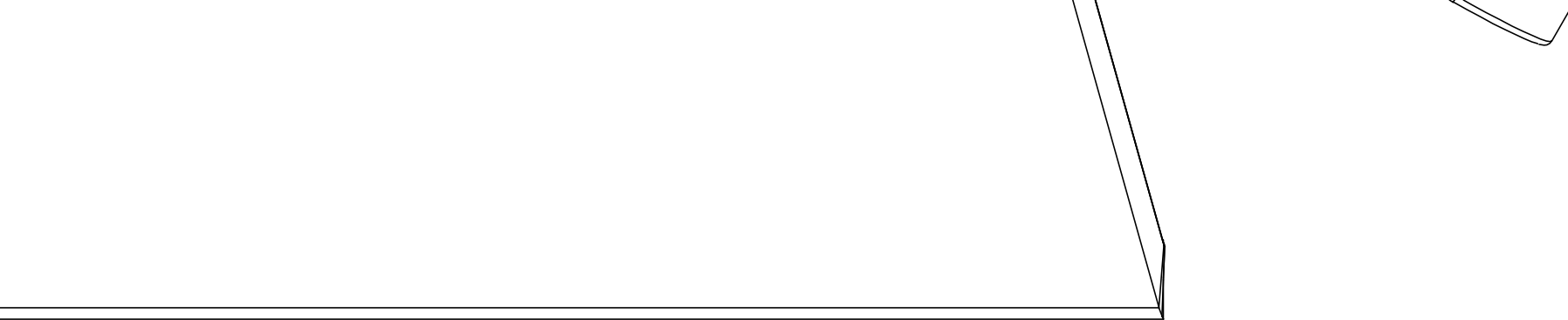




MANTUS MARINE  
MI PERFORMANCE  
125 LB  
(4,4)



MANTUS MARINE  
M1 PERFORMANCE  
125 LB  
(4,5)



MANTUS MARINE  
MI PERFORMANCE  
125 LB  
(4,6)