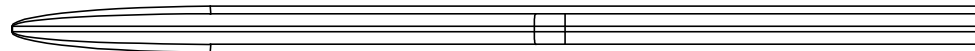
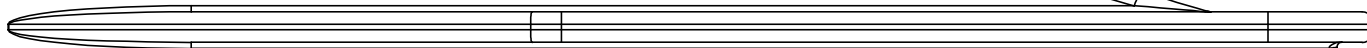


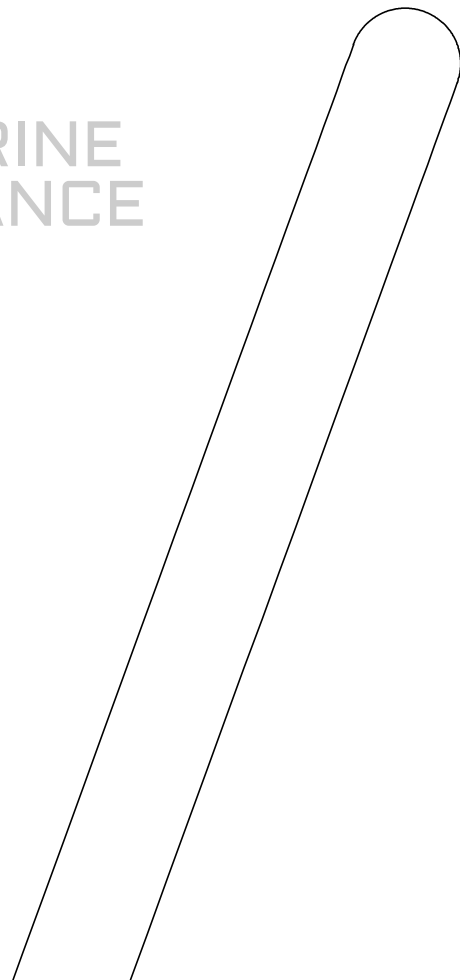
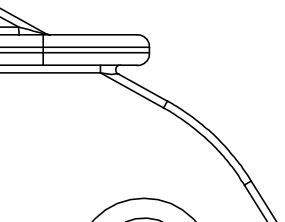
MANTUS MARINE  
M1 PERFORMANCE  
25 LB  
(1,1)

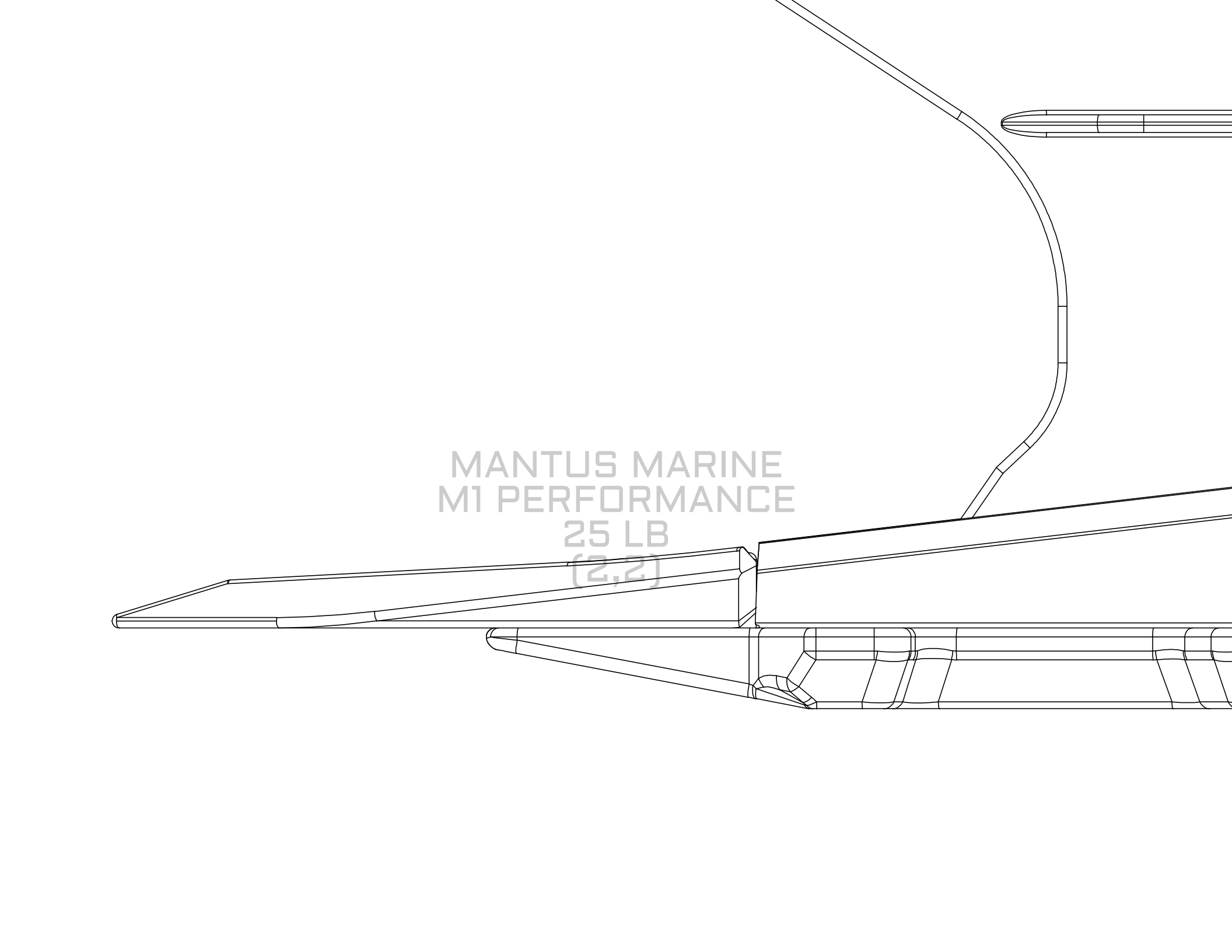
Align pages:  
(1,1) (1,2) (1,3)  
(2,1)(2,2)(2,3)  
etc.

MANTUS MARINE  
M1 PERFORMANCE  
25 LB  
(1,2)



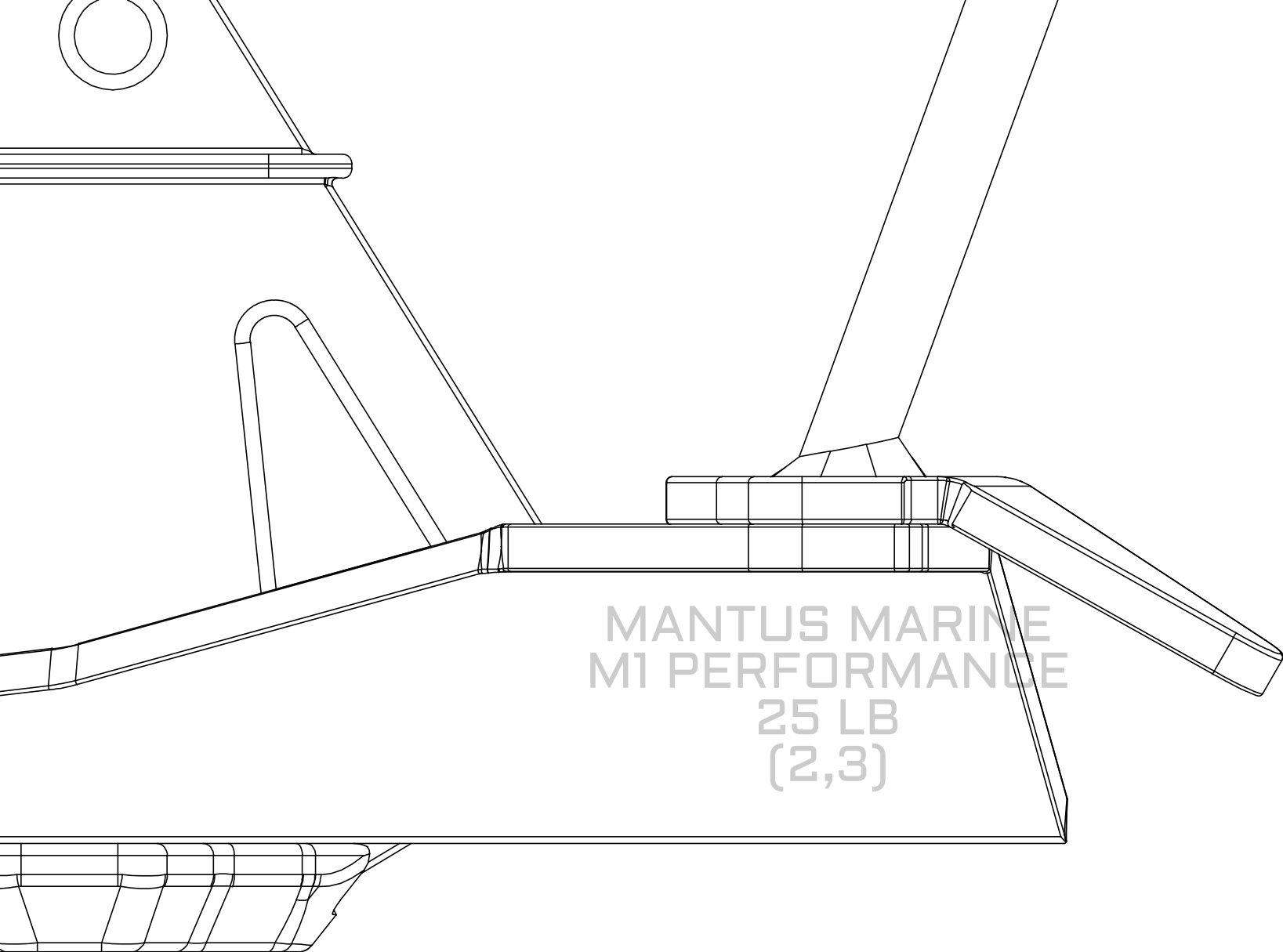
MANTUS MARINE  
MI PERFORMANCE  
25 LB  
(1,3)





MANTUS MARINE  
M1 PERFORMANCE  
25 LB  
(2,2)

This is a technical line drawing of a boat's transom and outboard motor mounting area. The drawing shows the transom structure, including the motor plate and the mounting brackets for the outboard motor. The text 'MANTUS MARINE M1 PERFORMANCE 25 LB (2,2)' is centered on the drawing, indicating the model and weight of the motor. The drawing is a black and white line drawing with no shading or color.



MANTUS MARINE  
MI PERFORMANCE  
25 LB  
(2,3)